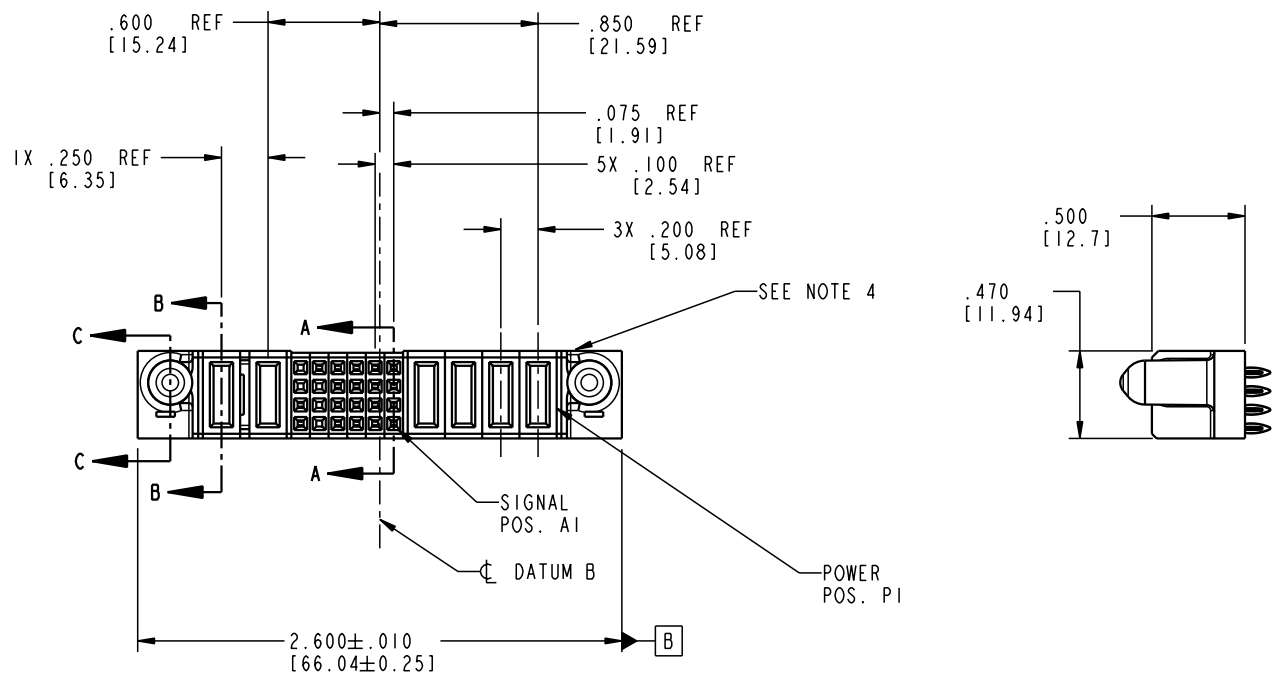


Tous droits strictement reserves. Reproduction ou communication a des tiers interdite sous quelque forme que ce soit sans autorisation ecrite du proprietaire. Propriete de c FCI. Droits de reproduction FCI.

All rights strictly reserved. Reproduction or issue to third parties in any form whatever is not permitted without written authority from the proprietor. Property of FCI. Copyright FCI.



PRODUCT NO.	ROWS	POWER		SIGNAL					POWER			E1			
		E2	P6	P5	6	5	4	3	2	1	P4		P3	P2	P1
51940-029	D C B A		PC	PF	X	F	F	F	F	F	PF	PC	PC	PF	
		X	X	F	F	F	F	F	F	F	PF	PC	PC	PF	
		F	X	F	F	F	F	F	F	F	PF	PC	PC	PF	
		F	X	F	F	F	F	F	F	F	PF	PC	PC	PF	



CODE	DIM "M" MATING LENGTH	CONTACT TYPE
F	N/A [N/A]	SIGNAL
PC	.042 [1.07]	POWER
PF	.092 [2.34]	POWER

mat'l code		SEE NOTE 2		tolerances unless otherwise specified		CUSTOMER		www.fciconnect.com	
lfr	ecn no.	dr	date	linear	$.XX \pm .01 / 0.X \pm 0.3$ $.XXX \pm .005 / 0.XX \pm 0.13$ $.XXXX \pm .0020 / 0.XXX \pm 0.051$	projection	title		4P + 24S + 2P VERTICAL PRESS FIT RECEPT
A	V03-0058	TAB	01/13/03	angles	$0^\circ \pm 2^\circ$		product family	PwrBlade	code
				dr	T. BRUNGARD 01/13/03	INCH/MM	size	dwg no	213
				enrg	M. MOSTOLLER 01/13/03	scale	A	51940-029	sheet
				chr	M. MOSTOLLER 01/13/03	1:1			1 of 4
				appd	M. MOSTOLLER 01/13/03				
sheet index	revision	A	A	A	A				
	sheet	1	2	3	4				

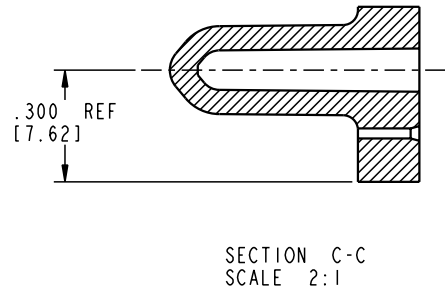
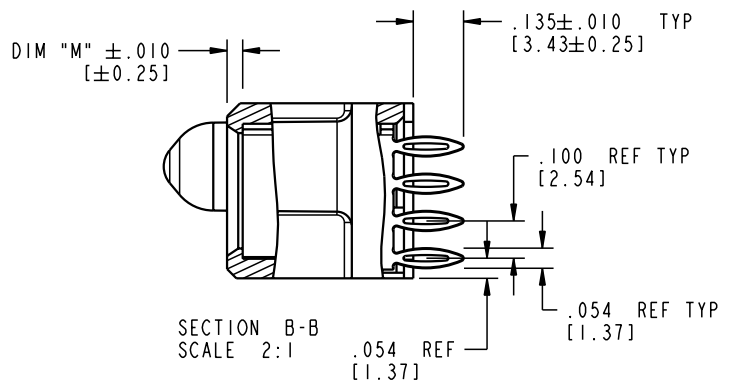
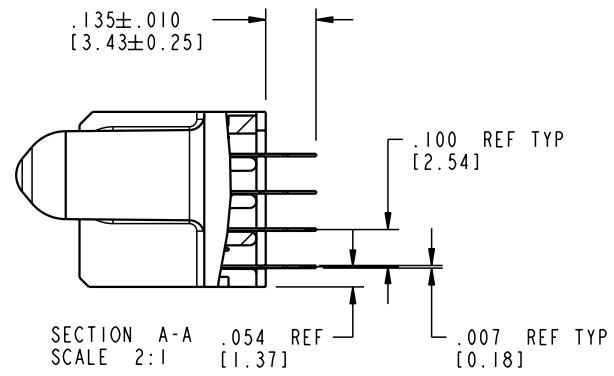
cage code 22526

Pro/E

Tous droits strictement reserves. Reproduction ou communication a des tiers interdite sous quelque forme que ce soit sans autorisation ecrite du proprietaire. Propriete de c FCI. Droits de reproduction FCI.

All rights strictly reserved. Reproduction or issue to third parties in any form whatever is not permitted without written authority from the proprietor. Property of FCI. Copyright FCI.

PRODUCT NUMBER
51940-029



mat'l code		SEE NOTE 2		tolerances unless otherwise specified		CUSTOMER		 www.fciconnect.com	
lfr	ecn no.	dr	date	linear	$.XX \pm .01 / 0.X \pm 0.3$ $.XXX \pm .005 / 0.XX \pm 0.13$ $.XXXX \pm .0020 / 0.XXX \pm 0.051$	projection	title		
A				angles	$0^\circ \pm 2^\circ$		4P + 24S + 2P		
				dr	T. BRUNGARD 01/13/03	 1:1	product family		code
				enr	M. MOSTOLLER 01/13/03		PwrBlade		213
				chr	M. MOSTOLLER 01/13/03		size		sheet
				appd	M. MOSTOLLER 01/13/03		A 51940-029		2 of 4
sheet index		revision sheet							

cage code 22526

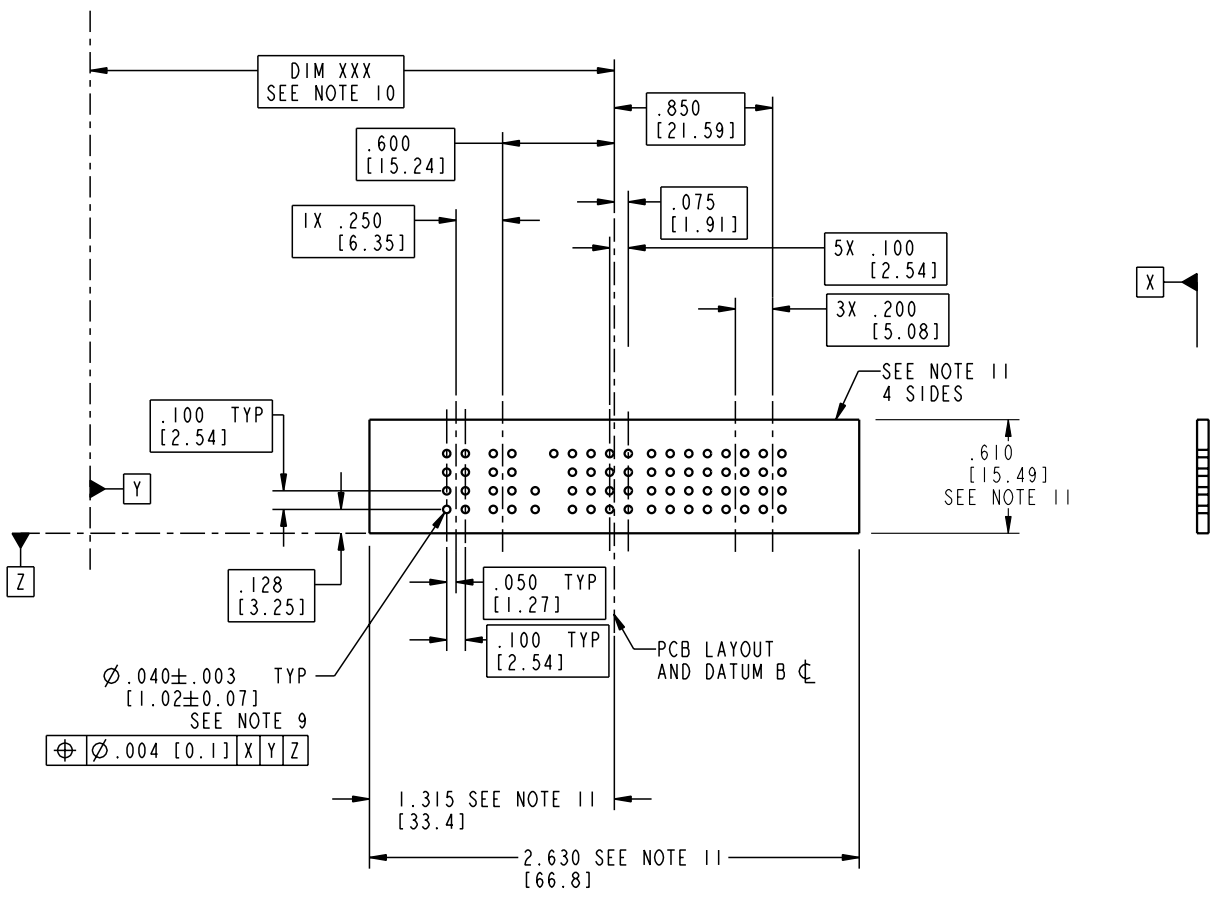
Pro/E

Tous droits strictement reserves. Reproduction ou communication a des tiers interdite sous quelque forme que ce soit sans autorisation ecrite du proprietaire. Propriete de c FCI. Droits de reproduction FCI.



All rights strictly reserved. Reproduction or issue to third parties in any form whatever is not permitted without written authority from the proprietor. Property of FCI. Copyright FCI.

PRODUCT NUMBER
51940-029



mat'l code		SEE NOTE 2		tolerances unless otherwise specified		CUSTOMER		 www.fciconnect.com	
lfr	ecn no.	dr	date	linear	$XX \pm .01 / 0.X \pm 0.3$ $XXX \pm .005 / 0.XX \pm 0.13$ $.XXX \pm .0020 / 0.XXX \pm 0.051$	projection	title		code
A				angles	$0^\circ \pm 2^\circ$		4P + 24S + 2P VERTICAL PRESS FIT RECEPT		213
				dr	T. BRUNGARD 01/13/03	INCH/MM	product family	PwrBlade	sheet
				enr	M. MOSTOLLER 01/13/03	scale	size	dwg no	3 of 4
				chr	M. MOSTOLLER 01/13/03	1:1	A	51940-029	
				appd	M. MOSTOLLER 01/13/03				
sheet index	revision								
	sheet								

cage code 22526

Pro/E

Tous droits strictement reserves. Reproduction ou communication a des tiers interdite sous quelque forme que ce soit sans autorisation écrite du propriétaire. Propriete de c FCI. Droits de reproduction FCI.



All rights strictly reserved. Reproduction or issue to third parties in any form whatever is not permitted without written authority from the proprietor. Property of FCI. Copyright FCI.

1 | 2

3 |

4

PRODUCT NUMBER
51940-029

NOTES:

1. DIMENSIONS AND TOLERANCES ARE IN ACCORDANCE WITH ASME Y14.5M, 1994 UNLESS OTHERWISE SPECIFIED.

CONNECTOR NOTES:

2 HOUSING MATERIAL: UL 94 V-0 GLASS FILLED
HIGH-TEMP THERMOPLASTIC
POWER CONTACT MATERIAL: COPPER ALLOY
SIGNAL PIN MATERIAL: COPPER ALLOY

3. PLATING:
SIGNAL PINS: 30u"/0.76um Au OVER 50u"/1.27um Ni
POWER CONTACTS: 50u"/1.27um Ni UNDER ALL WITH 30u"/0.76um Au ON CONTACT AREA AND SnPb ON PCB INTERFACE

4 MANUFACTURER'S NAME, P/N, AND DATE CODE TO APPEAR ON THIS SURFACE.

5. PRODUCT SPECIFICATION GS-12-149.
APPLICATION SPECIFICATION BUS-20-067.

6. PACKAGED IN TRAYS.

PCB NOTES:

7. ALL HOLE DIAMETERS ARE FINISHED HOLE SIZE.

8 MOUNTING HOLES, WHERE APPLICABLE, ARE UNPLATED.

9 $\varnothing .0453 \pm .0010$ [1.151 \pm 0.025] DRILLED HOLES PLATED WITH .0003 [0.008] MIN SnPb OVER .001 [0.03] TO .003 [0.08] Cu PLATING TO ACHIEVE $\varnothing .040 \pm .003$ [1.02 \pm .07] HOLE.

10 "DIM XXX" TO BE DETERMINED BY THE CUSTOMER.

11 CONNECTOR KEEP-OUT ZONE.

mot'l code		SEE NOTE 2		tolerances unless otherwise specified		CUSTOMER		www.fciconnect.com	
lfr	ecn no.	dr	date	linear	$.XX \pm .01 / 0.X \pm 0.3$ $.XXX \pm .005 / 0.XX \pm 0.13$ $.XXXX \pm .0020 / 0.XXX \pm 0.051$	projection			title
A				angles	$0^\circ \pm 2^\circ$				4P + 24S + 2P VERTICAL PRESS FIT RECEPT
sheet index		revision sheet		dr	T. BRUNGARD 01/13/03	scale	1:1		product family
				enrg	M. MOSTOLLER 01/13/03	A		PwrBlade	code
				chr	M. MOSTOLLER 01/13/03	51940-029		size	213
				appd	M. MOSTOLLER 01/13/03	A		dwg no	4 of 4
								sheet	
								4 of 4	

1 | 2

Pro/E

3 |

coge code 22526

4